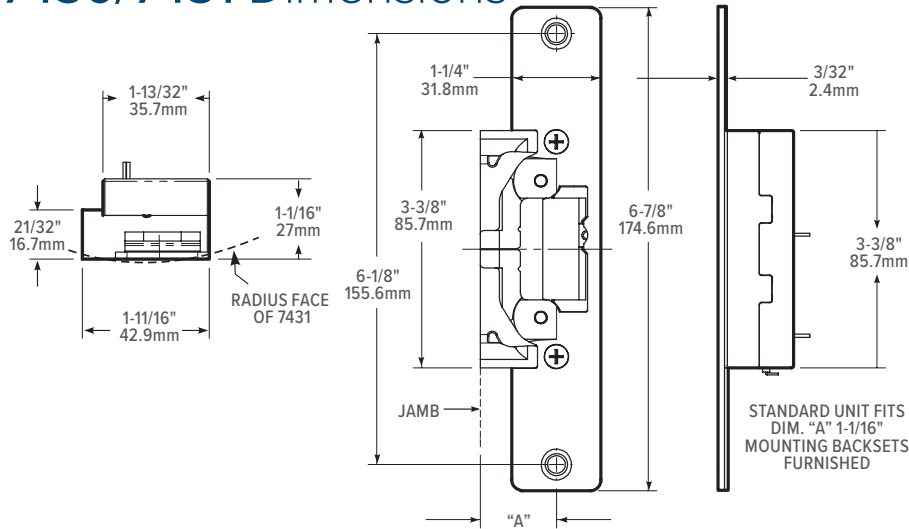
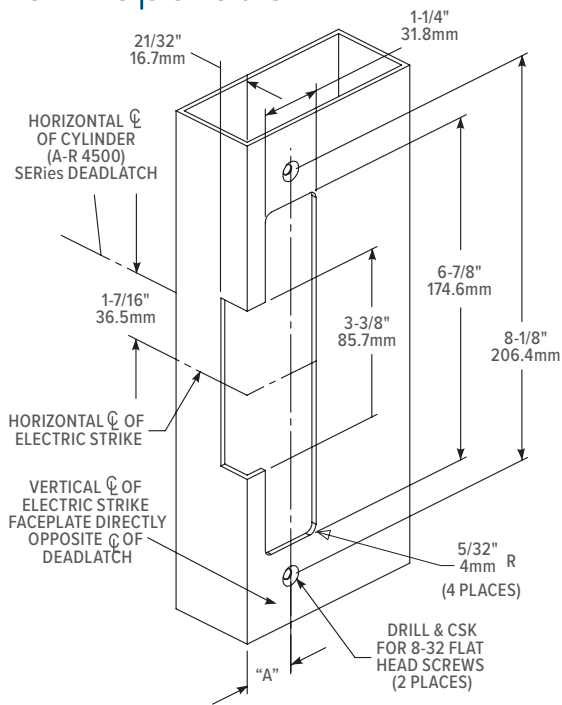


All measurements are approximate and are provided for informational purposes only. Refer to the product Installation Instructions.

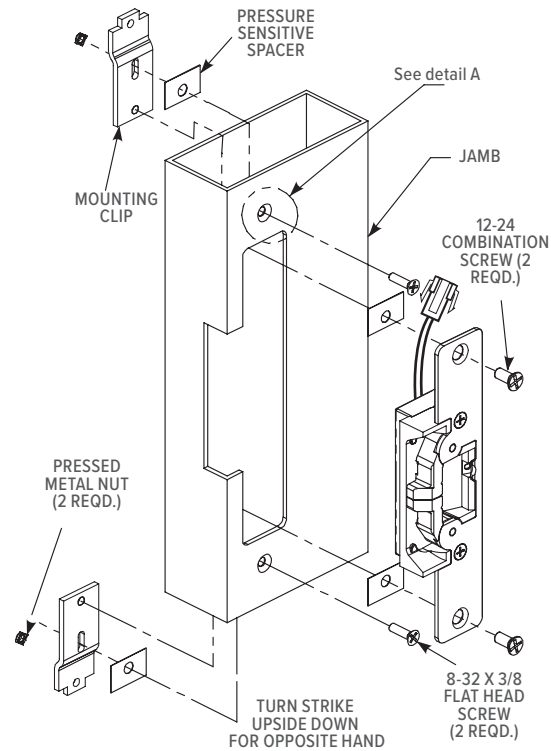
7430/7431 Dimensions



Jamb Preparation



Installation



How to Order

7430/7431 Electric Strikes: Specify quantity and the following information. Order related products separately.

MODEL	FACEPLATE SHAPE	FEATURES*	FINISH	
743	0	M	628	
	0 Flat	- None	7430 ONLY	7431 ONLY
	1 Radius	M Monitored	313 Dark Bronze Anodized	119 To match 313 Dark Bronze Anodized
			335 Black Anodized	121 To match 335 Black Anodized
			628 Clear Anodized	119 To match 628 Clear Anodized

*Fail-secure can be field converted to fail-safe or vice-versa.